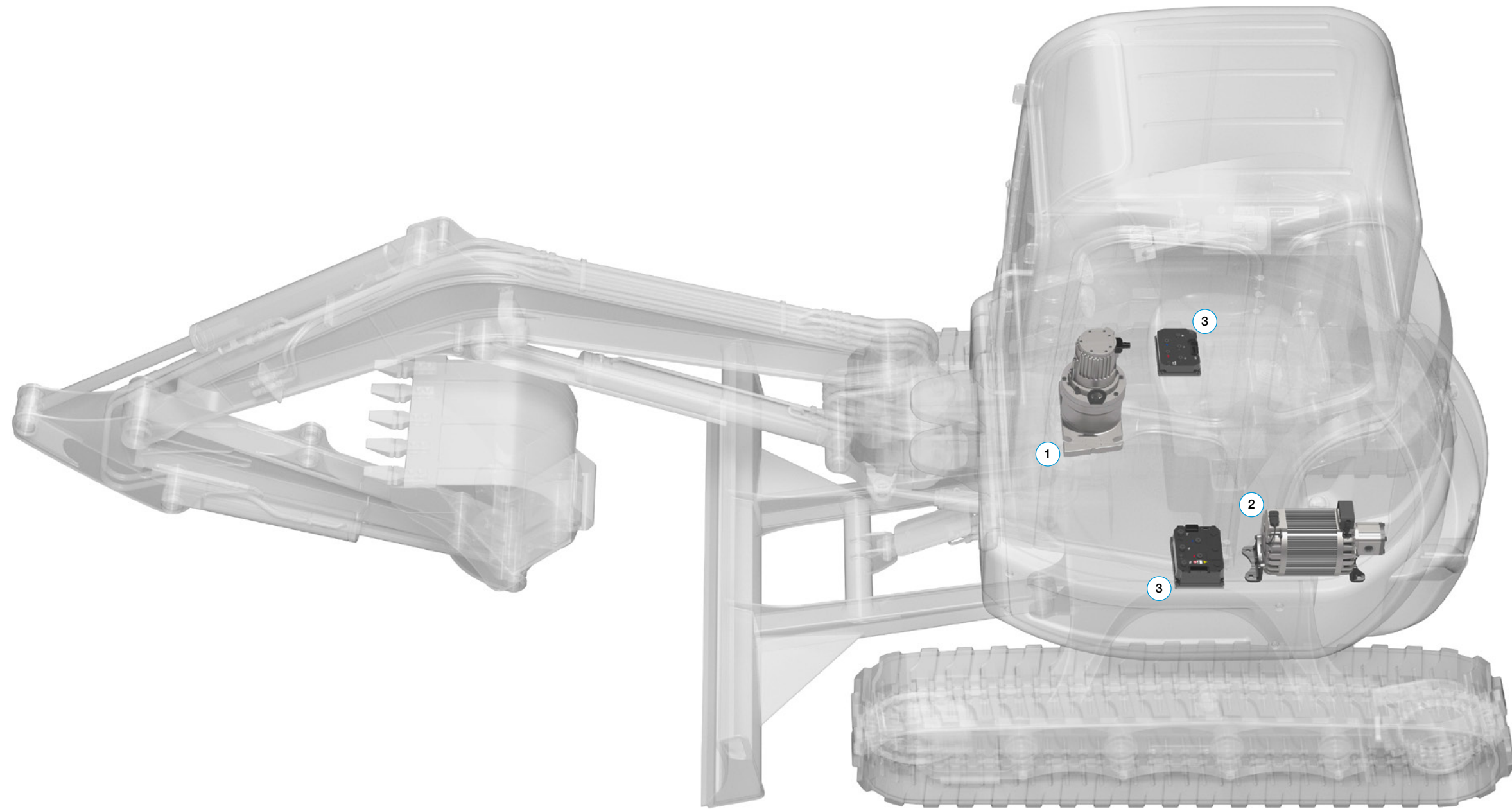




# Electrification Portfolio

Mini-Excavator



## Motion Systems



1 e-Slew Drive



2 e-Pump Motor

## Electronic Controls



3 Low Voltage Inverter